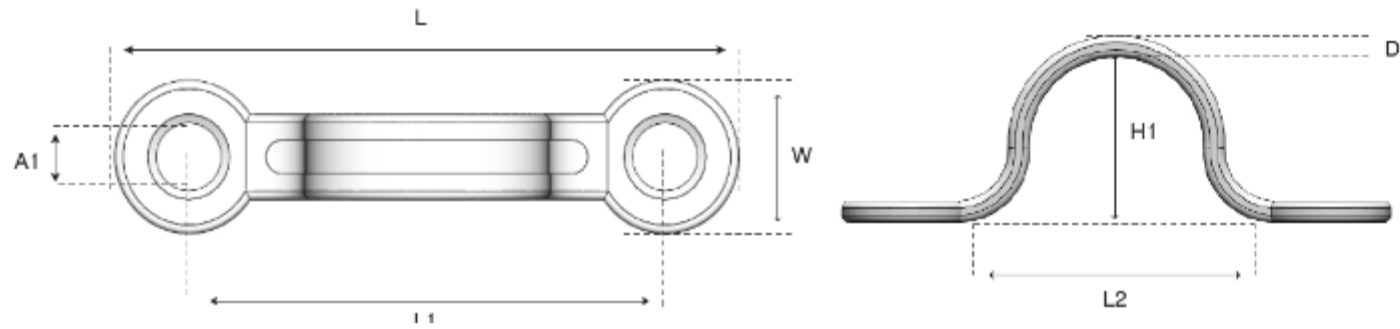


D	H1	L	L1	L2	A1	W	Box Qty	Weight
1.5	11	38	28	15	4	9	1000	6g
2.0	14	45	34	18	5	11	1000	9g

Material: 316 Grade Stainless Steel **Assembly:** Stamped **Surface Finish:** Machine Polished



D	H1	L	L1	L2	A1	W	BOX QTY	WEIGHT
1.5	11	38	28	15	4	9	1000	6g
2.0	14	45	34	18	5	11	1000	9g