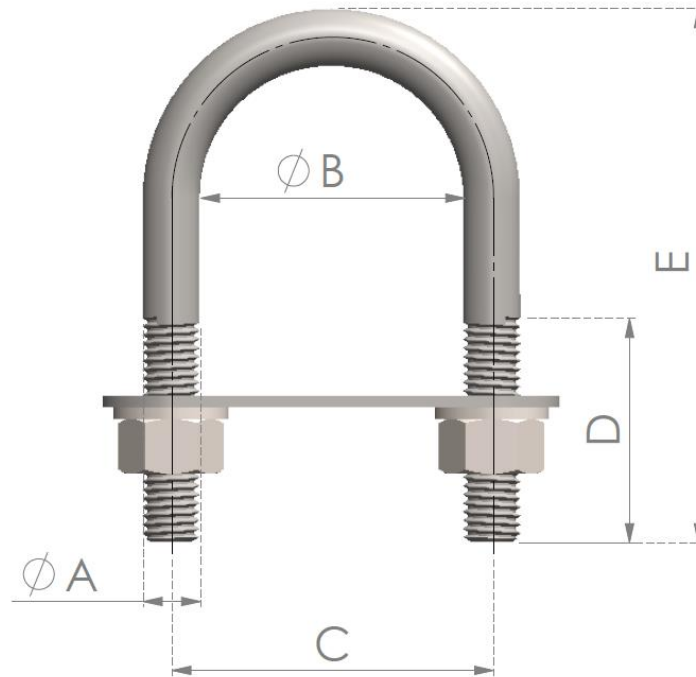


U-BOLT



Code	Grade	Size	ØA	ØB	C	D	E
3111-305-08080	304	M8x28x82	M8	28	35	40	82
3111-305-08100	304	M8x28x102	M8	28	35	50	102
3111-305-10090	304	M10x40x92	M10	40	50	42	92
3111-305-10130	304	M10x62x131	M10	62	70	55	131
3111-305-12150	304	M12x50x152	M12	50	58	65	152

Dimensions are approximate and for guidance only

GET IN TOUCH

PHONE (02) 9659 6919

EMAIL info@stainlesscentral.com.au

ADDRESS Unit 37, 9 Salisbury Rd Castle Hill 2154

WEBSITE stainlesscentral.com.au