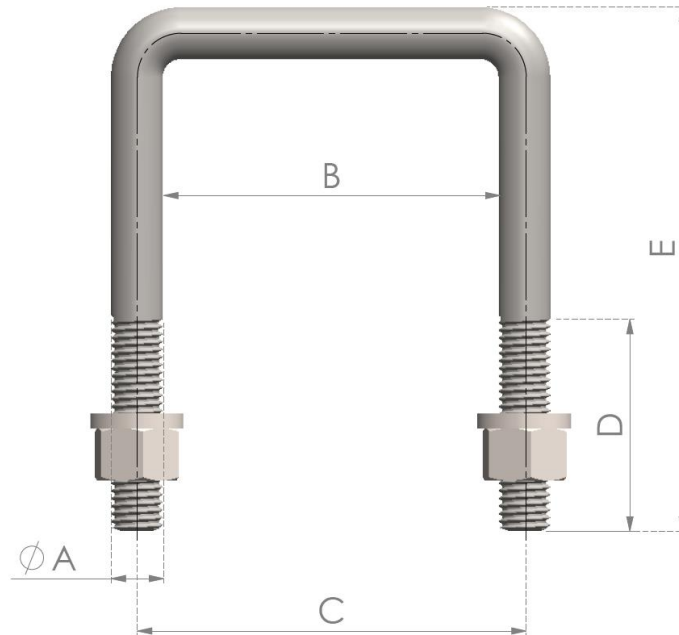


# U-BOLT



Code	Grade	Size	$\phi A$	B	C	D	E
3021-316-12077	316	M12x78x120	M12	77	88	50	120

Dimensions are approximate and for guidance only

## GET IN TOUCH

**PHONE** (02) 9659 6919

**EMAIL** [info@stainlesscentral.com.au](mailto:info@stainlesscentral.com.au)

**ADDRESS** Unit 37, 9 Salisbury Rd Castle Hill 2154

**WEBSITE** [stainlesscentral.com.au](http://stainlesscentral.com.au)